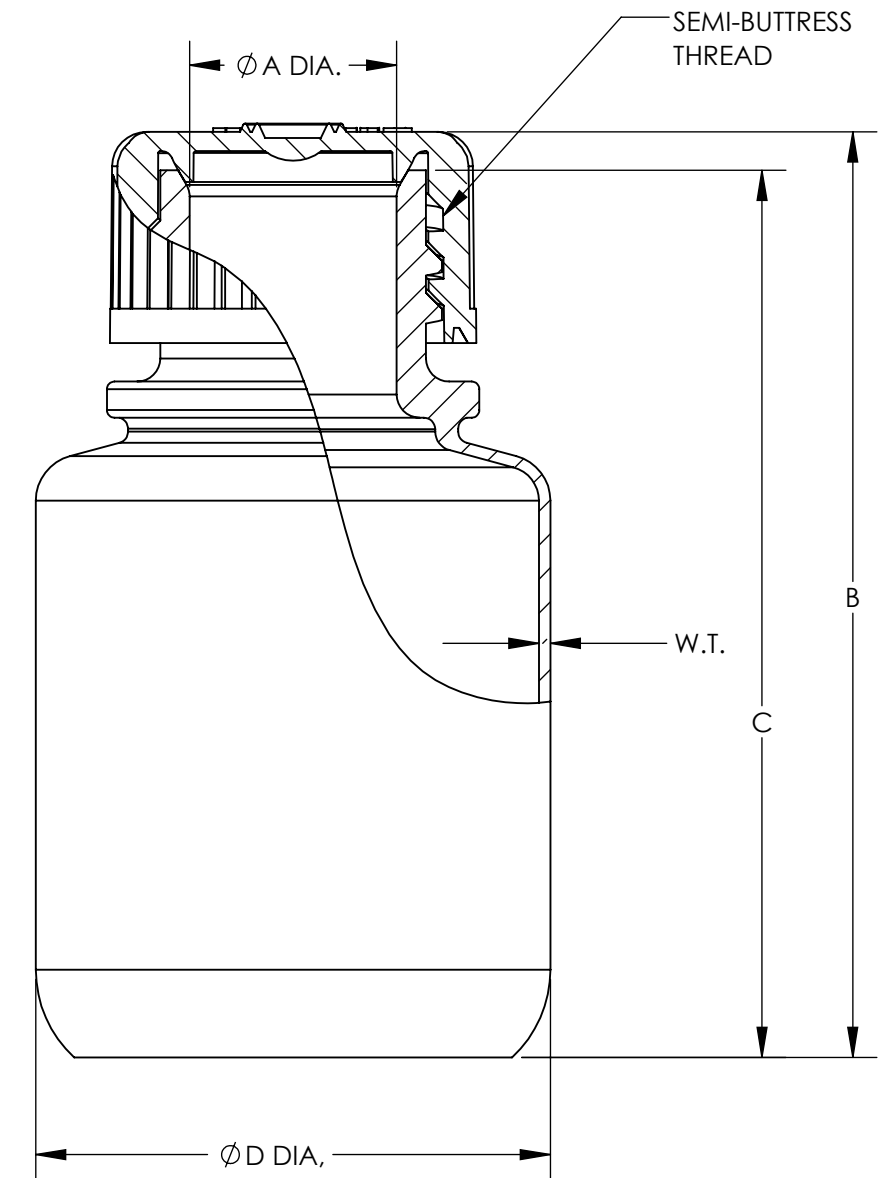


CATOLOG NUMBER	NOMINAL CAPACITY, OZ			MATERIALS	
				BOTTLE	CLOSURE
312002	1/4	1/2	1	HDPE	PP
312004	1/4	1/2	1	AMBER HDPE	AMBER PP
312006	1/4	1/2	1	PPCO	PP
312084	1/4	1/2	1	TANSLUCENT AMBER HDPE	AMBER PP

SIZE CODE	-9025		-9050		-0001	
SIZE (NOM VOL mL/oz)	8 1/4		15 1/2		30 1	
NOM. BRIM CAP. (mL)	12		17		34	
NECK FINISH (mm)	20-415		20-415		20-415	
THREAD (T.P.I.)	8		8		8	
NOM. WEIGHT W/CLOSURE (GMS)	6		7		8	
	INCH	MM	INCH	MM	INCH	MM
A (BOTTLE NECK I.D.)	0.54±.02	13.7±0.5	0.54±.02	13.7±0.5	0.54±.02	13.7±0.5
B (HT W/CLOSURE)	1.78±.05	45.2±1.3	2.30±.06	58.4±1.5	2.40±.07	61.0±1.8
C (HT W/O CLOSURE)	1.66±.05	42.2±1.3	2.20±.06	55.9±1.5	2.30±.07	58.4±1.8
D (DIAMETER)	0.98±.04	24.9±1.0	0.98±.04	24.9±1.0	1.35±.05	34.3±1.3
W.T. (NOM. WALL THK)	0.035	0.90	0.035	0.90	0.035	0.90

1. ALL DIMENSIONS ARE NOMINAL AND IN INCHES AND MILLIMETERS UNLESS OTHERWISE NOTED.
2. THIS IS NOT A PRODUCTION DRAWING, BUT IS FOR INFORMATIONAL PURPOSES ONLY, AND IS SUBJECT TO CHANGE WITHOUT NOTICE.



SPECS ON BACK

NOT TO SCALE

CONFIDENTIAL

THIS PRODUCT SPECIFICATION SHEET CONTAINS CONFIDENTIAL AND/OR PROPRIETARY INFORMATION AND IS TO BE USED ONLY FOR THE EXPRESSED PURPOSES AGREED UPON BY AN AUTHORIZED OFFICER OF THERMO FISHER SCIENTIFIC.

ThermoFisher
SCIENTIFIC

Thermo Fisher Scientific
75 Panorama Creek Drive
Rochester, NY 14625-2385, USA

MADE	EJL	APP'D	MJR	PSS 31-20XX-XXXX-1	REV. 0518
CK'D	SA		5/18/18		
DESCRIPTION: SMALL/DIAGNOSTIC (NARROW MOUTH) ROUND BOTTLES					