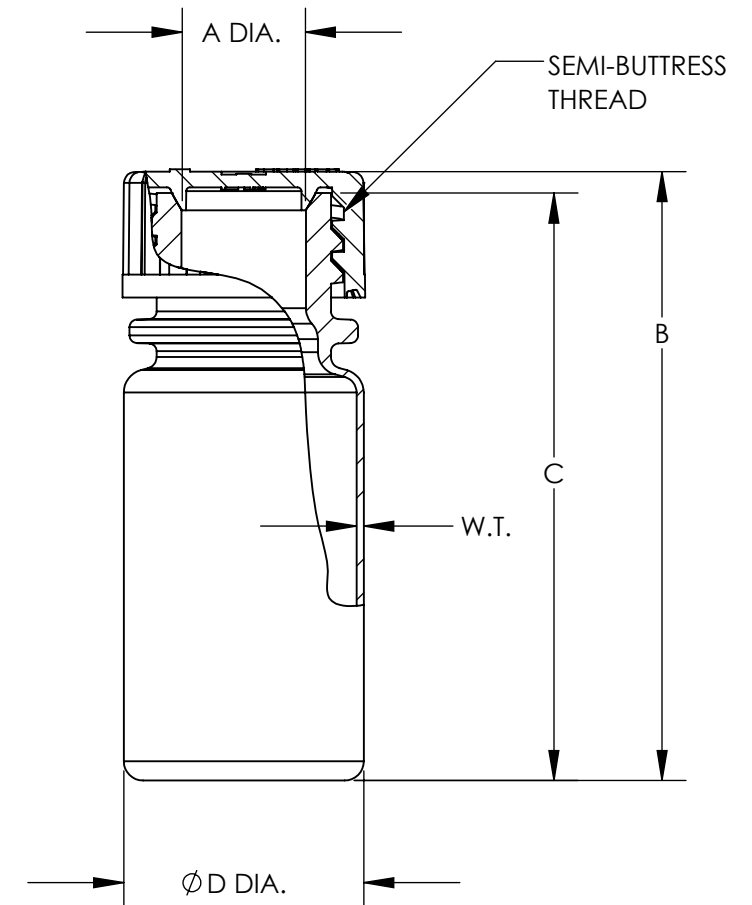


CATOLOG NUMBER	NOMINAL CAPACITY, (OZ)	MATERIALS	
		BOTTLE	CLOSURE
312002	1/8	HDPE	PP
312004	1/8	AMBER HDPE	AMBER PP
312006	1/8	PPCO	PP
312084	1/8	TANSLUCENT AMBER HDPE	AMBER PP

SIZE CODE	-9125	
SIZE (NOM VOL mL/oz)	4 1/8	
NOM. BRIM CAP. (mL)	4.2	
NECK FINISH (mm)	13-415	
THREAD (T.P.I.)	12	
NOM. WEIGHT W/CLOSURE (GMS)	2.6	
	INCH	MM
A (BOTTLE NECK I.D.)	0.32±.02	8.1±0.5
B (HT W/CLOSURE)	1.58±.04	40.1±1.0
C (HT W/O CLOSURE)	1.52±.04	38.6±1.0
D (DIAMETER)	0.62±.04	15.8±1.0
W.T. (NOM. WALL THK)	0.050	1.27

1. ALL DIMENSIONS ARE NOMINAL AND IN INCHES AND MILLIMETERS UNLESS OTHERWISE NOTED.
2. THIS IS NOT A PRODUCTION DRAWING, BUT IS FOR INFORMATIONAL PURPOSES ONLY, AND IS SUBJECT TO CHANGE WITHOUT NOTICE.



SPECS ON BACK

NOT TO SCALE

### CONFIDENTIAL

THIS PRODUCT SPECIFICATION SHEET CONTAINS CONFIDENTIAL AND/OR PROPRIETARY INFORMATION AND IS TO BE USED ONLY FOR THE EXPRESSED PURPOSES AGREED UPON BY AN AUTHORIZED OFFICER OF THERMO FISHER SCIENTIFIC.

**ThermoFisher**  
SCIENTIFIC

Thermo Fisher Scientific  
75 Panorama Creek Drive  
Rochester, NY 14625-2385, USA

MADE	EJL	APP'D	MJR	PSS 31-20XX-9125	REV. 0518
CK'D	SA		5/18/18		
DESCRIPTION: SMALL/DIAGNOSTIC (NARROW MOUTH) ROUND BOTTLE					