

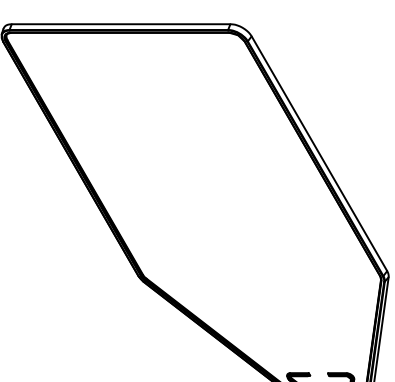
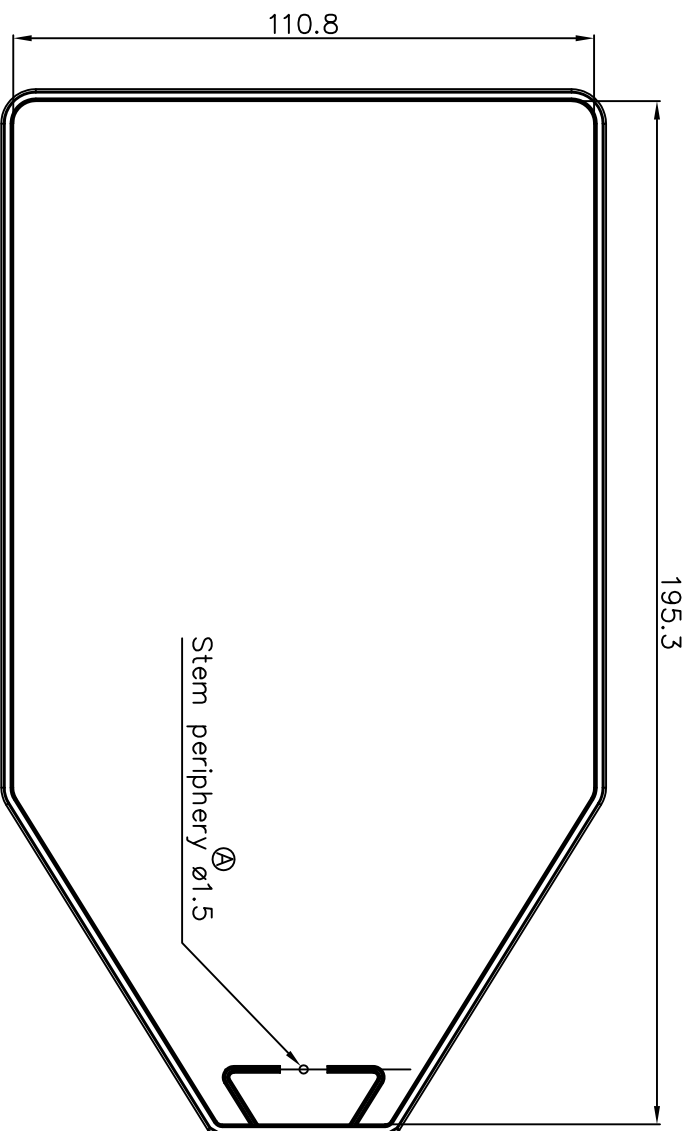
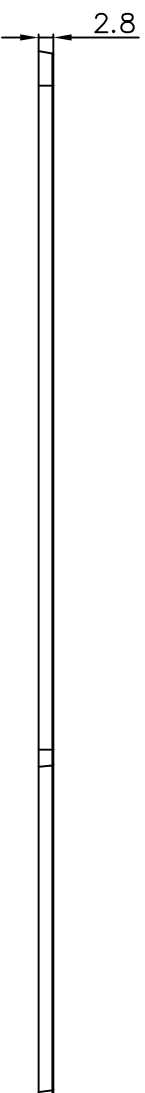
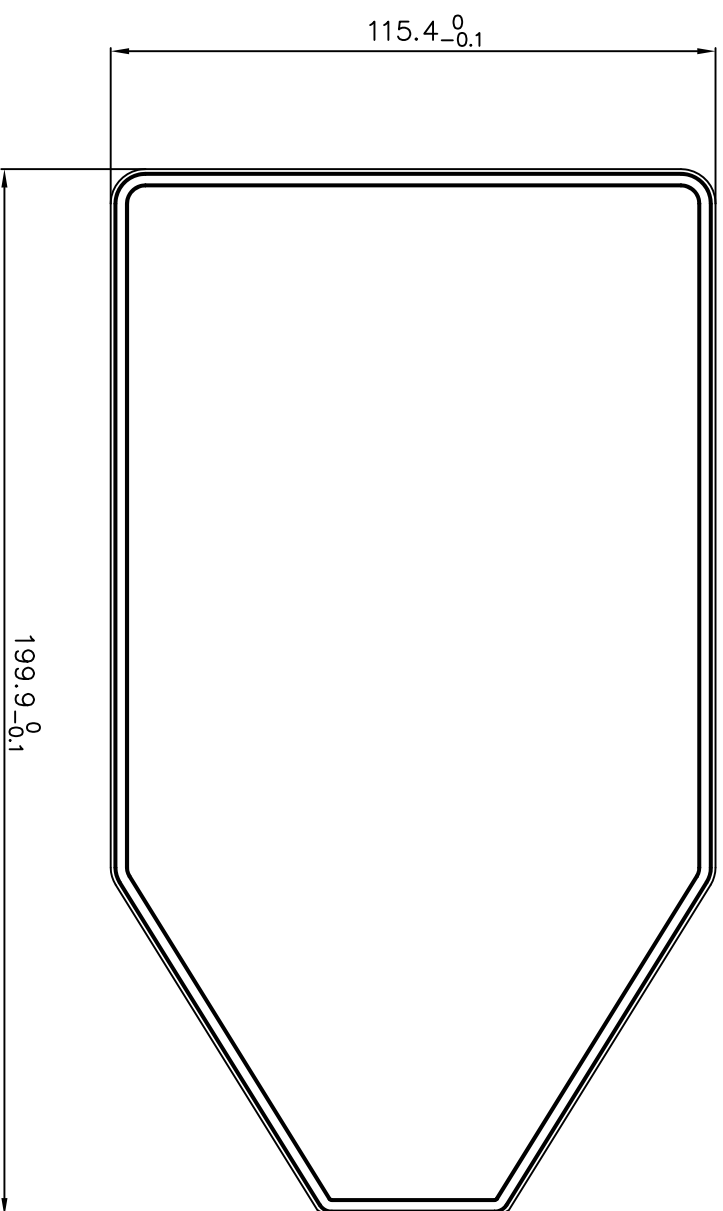
Tolerances unless otherwise specified:  
 Without decimal: ±0.5 mm  
 1 place decimal: ±0.1 mm  
 2 place decimal: ±0.05 mm

Undefined radius: R 0.20 mm  
 Shrinkage: 0.5%

Roskilde Site · Kamstrupvej 90 · P.O.Box 280  
 DK-4000 Roskilde · Denmark  
 Tel +45 4631 2000 · Fax +45 4631 2042  
 E-mail: [info.nunc@thermofisher.com](mailto:info.nunc@thermofisher.com)

[www.nunchbrand.com](http://www.nunchbrand.com)

SUBJECT:		DRAWN BY/DATE:		CHANGE ORDER NO.:		VALID FROM:		APPROVED BY/DATE:		FORMAT:	
175 cm2 Easy Flask		JHA/23.11.99		CO-1181		2008.03.10		JR 2008.03.05		A3	
Bottom part.		ITEM NUMBER:		DRAWING NO.:		VERSION:		PAGE TYPE:		SCALE:	
		PS		3039		10		-C		1:1, 1:2.5	
		MATERIAL:		FIRST ANGLE		METRIC					

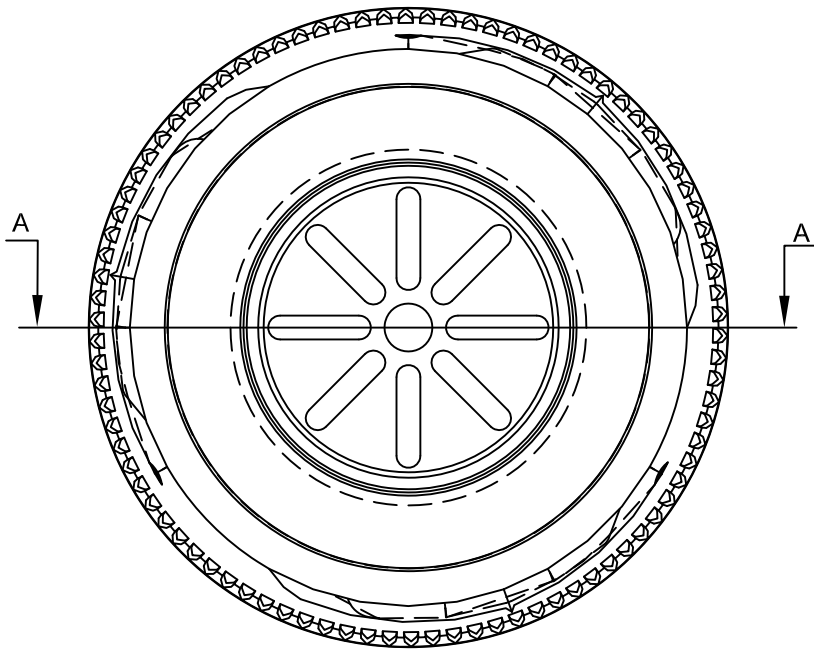


Tolerances unless otherwise specified:  
 Without decimal:  $\pm 0.5$  mm  
 1 place decimal:  $\pm 0.1$  mm  
 2 place decimal:  $\pm 0.05$  mm

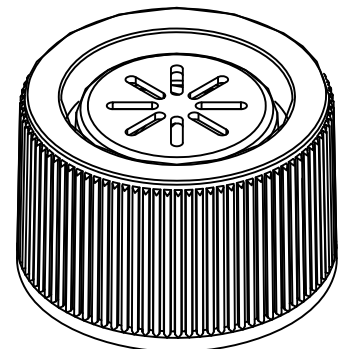
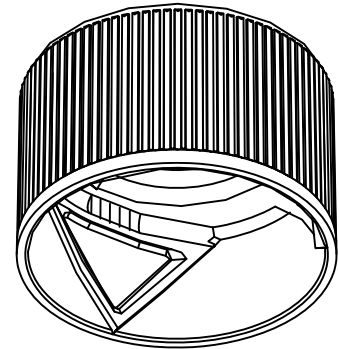
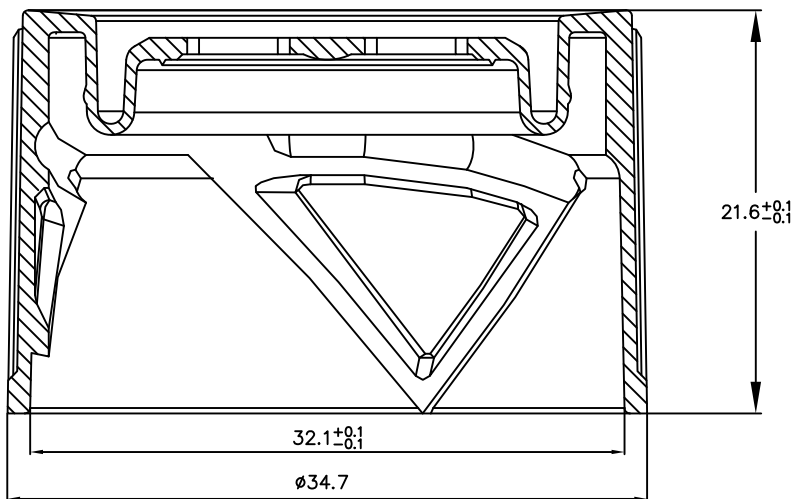
Undefined radius: R 0.20 mm

Shrinkage 0.5%

SUBJECT:		DRAWN BY/DATE:		CHANGE ORDER NO.:		VALID FROM:		APPROVED BY/DATE:		FORMAT:	
175 cm <sup>2</sup> Easy Flask		avg 2008.03.04		CO-1181		2008.03.10		JR 2008.03.05		A2	
Lid		ITEM NUMBER:		MATERIAL:		DRAWING NO.:		PAGE TYPE:		SCALE:	
		PS		3040		10		-C		1:1, 1:2	
Roskilde Site · Kamstrupvej 90 · P.O.Box 280 DK-4000 Roskilde · Denmark Tel +45 4631 2000 · Fax +45 4631 2042 Email: <a href="mailto:Info@nunc.com">Info@nunc.com</a>				<a href="http://www.nuncbrand.com">www.nuncbrand.com</a>							



A-A



Tolerances unless otherwise specified:  
 Without decimal:  $\pm 0.5$  mm  
 1 place decimal:  $\pm 0.1$  mm  
 2 place decimal:  $\pm 0.05$  mm

Undefined radius: R 0.20 mm

Roskilde Site · Kamstrupvej 90 · P.O.Box 280  
 DK-4000 Roskilde · Denmark  
 Tel +45 4631 2000 · Fax +45 4631 2042  
 E-mail: info.nunc@thermofisher.com

[www.nuncbrand.com](http://www.nuncbrand.com)

SUBJECT: 175cm <sup>2</sup> Easy filter cap	DRAWN BY/DATE: JLL/00.10.14	CHANGE ORDER NO.: CO-1181	VALID FROM: 2009.02.23	APPROVED BY/DATE: JR 2009.02.18	FORMAT: A4
	ITEM NUMBER:	MATERIAL: PEHD	DRAWING NO.: 3042	VERSION: 10	PAGE TYPE: -C
					METRIC First Angle Projection