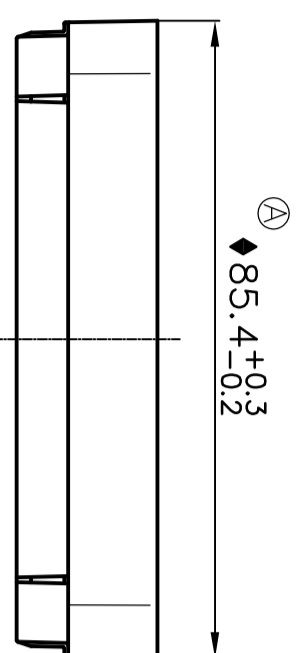
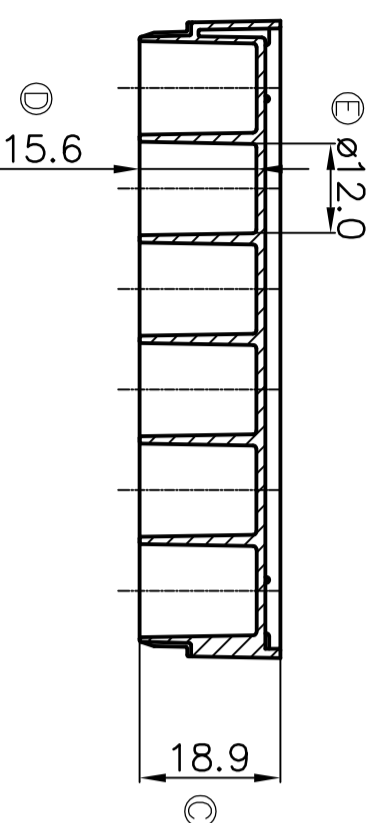
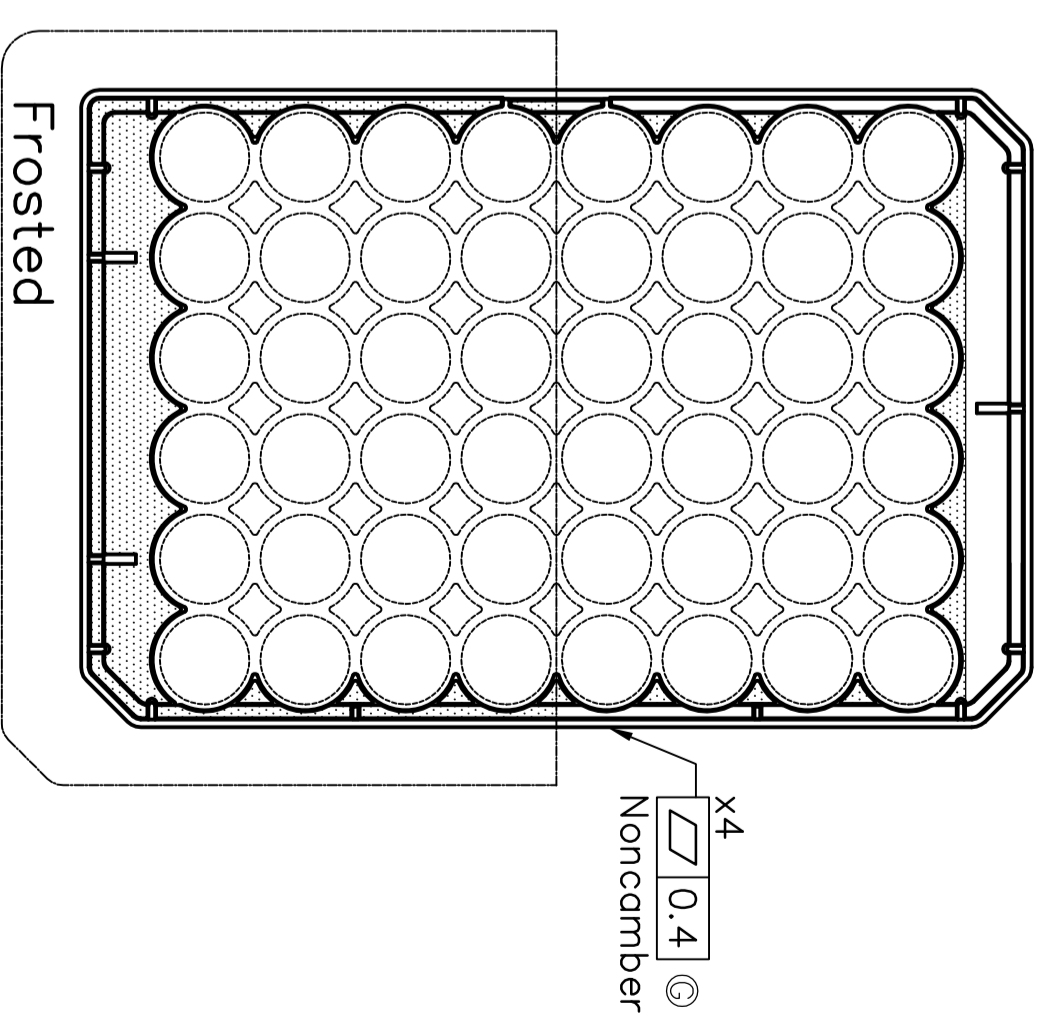
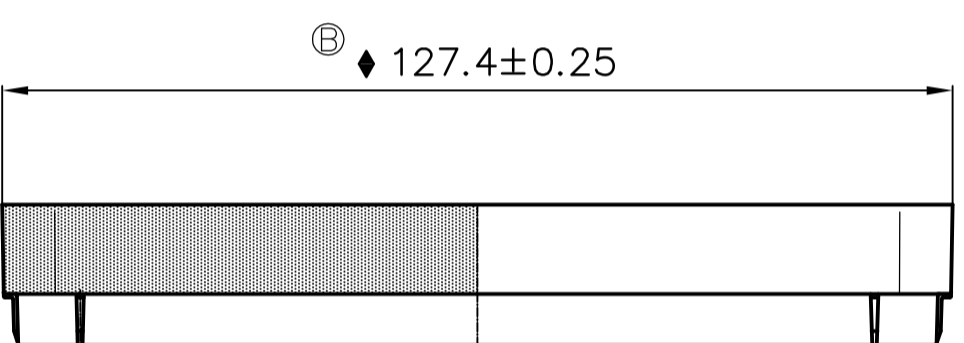


Section AA



Tolerances unless otherwise specified:
 Without decimal: ±0.5 mm
 1 place decimal: ±0.1 mm
 2 place decimal: ±0.05 mm

		Roskilde Site • Kamstrupvej 30 • P.O.Box 280 DK-4000 Roskilde • Denmark Tel +45 4633 2000 • Fax +45 4633 2042 Email: info@thermofisher.com		www.nunbrand.com	
SUBJECT:		DRAWN BY/DATE:		APPROVED BY/DATE:	
Bundpart for Multidish 48		MS/10.06.99		AMU 2007.05.30	
		CHANGE ORDER NO.:		SCALE:	
		CC-1712		1:1	
		MATERIAL:		FORMAT:	
		PS		A4	
		DRAWING NO.:		METERIC	
		2743		YES	
		VERSION:		UNIT	
		10		mm	
		PAGE TYPE:		DRAWING	
		-C		NO	