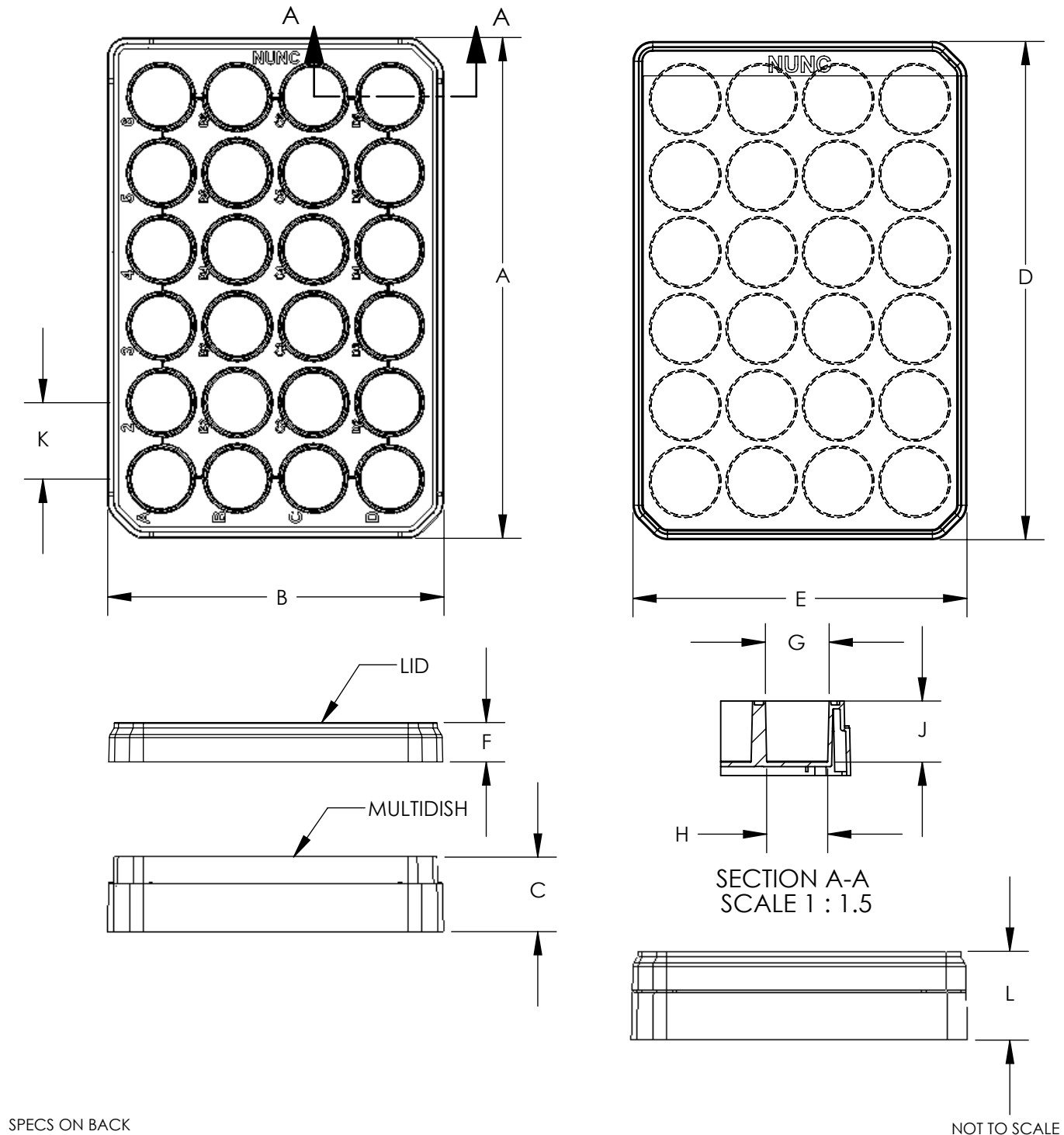


CATALOG NUMBER.....:	142485 & 144530	
NUMBER OF WELLS.....:	8	
MATERIALS	LID.....:	PS
	BASE.....:	PS
	INCH	MM
A (BASE LENGTH).....:	5.02	127.5
B (BASE WIDTH).....:	3.36	85.3
C (BASE HEIGHT).....:	0.74	18.8
D (LID LENGTH).....:	5.01	127.3
E (LID LENGTH).....:	3.34	84.8
F (LID HEIGHT).....:	0.39	9.9
G (WELL DIA @ TOP).....:	0.64	16.3
H (WELL DIA @ BOTTOM).....:	0.61	15.5
J (WELL DEPTH).....:	0.62	15.7
K (WELL-TO-WELL SPACING).....:	0.77	19.6
L (ASSEMBLY HEIGHT W/LID).....:	0.89	22.6
CULTURE AREA, cm ³ /WELL.....:	-	1.9
SUGGESTED WORKING VOL., mL/WELL.:	-	1.0

CATALOG NUMBER	SURFACE	COLOR	STERILE	WITH LID	UNITS PER PACK/CASE
142485	NUNCLON	CLEAR	YES	YES	5/85
144530	NON-TREATED	CLEAR	YES	YES	1/75



1. ALL DIMENSIONS ARE NOMINAL AND IN INCHES AND MILLIMETERS UNLESS OTHERWISE NOTED.
2. THIS IS NOT A PRODUCTION DRAWING, BUT IS FOR INFORMATIONAL PURPOSES ONLY, AND IS SUBJECT TO CHANGE WITHOUT NOTICE.

CONFIDENTIAL

THIS PRODUCT SPECIFICATION SHEET CONTAINS CONFIDENTIAL AND/OR PROPRIETARY INFORMATION AND IS TO BE USED ONLY FOR THE EXPRESSED PURPOSES AGREED UPON BY AN AUTHORIZED OFFICER OF THERMO FISHER SCIENTIFIC.

ThermoFisher
SCIENTIFIC

Thermo Fisher Scientific
75 Panorama Creek Drive
Rochester, NY 14625-2385, USA

MADE	PB	APP'D	JGC
CK'D	JGC	DATE	5/30/08

PSS 142485/144530

REV. 0508

DESCRIPTION:

24 ROUND WELL MULTIDISH W/LID