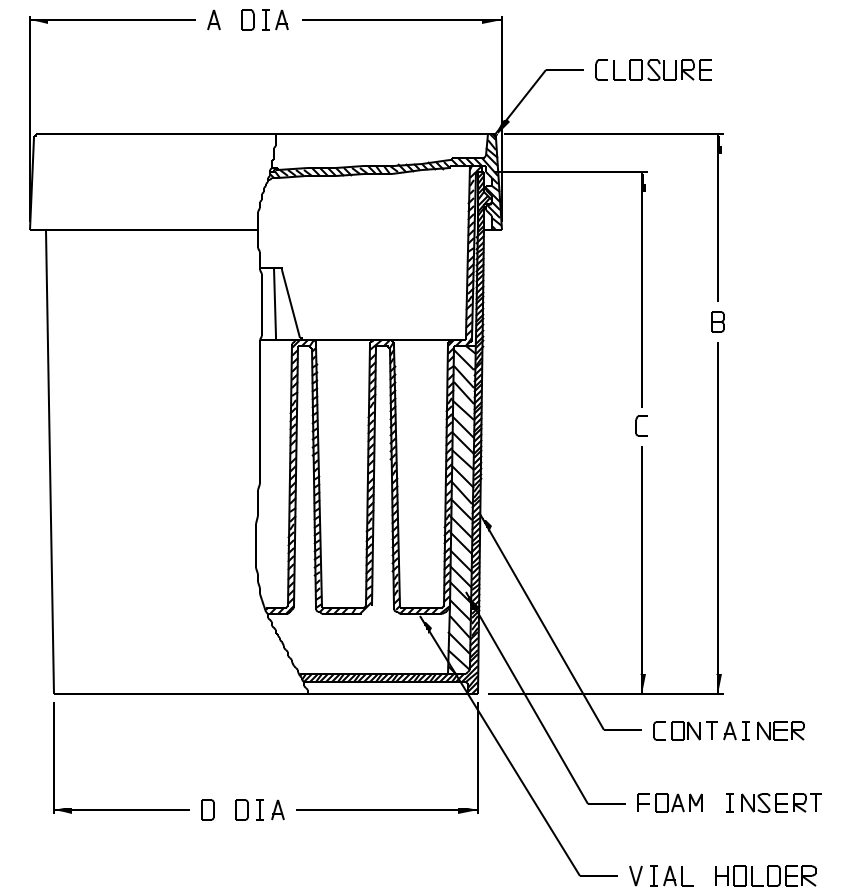


CAT. NO.:	5100-0001		5100-0002	
NOM. WEIGHT (grms):	200		280	
	INCHES	MM	INCHES	MM
A (CLOSURE O.D.):	4.91	124.7	4.91	124.7
B (HT W/CLOSURE):	3.44	87.4	5.82	147.8
C (HT W/O CLOSURE):	3.12	79.2	5.48	139.2
D (BASE DIA):	4.47	113.5	4.42	112.3

MATERIAL	
CONTAINER	PC
CLOSURE	BLUE HOPE
VIAL HOLDER	GRANITE HOPE
FOAM INSERT	PUF



SPECS ON BACK

NOT TO SCALE

NOTES:

1. ALL DIMENSIONS ARE NOMINAL AND IN INCHES AND MILLIMETERS UNLESS OTHERWISE NOTED.
2. THIS IS NOT A PRODUCTION DRAWING, BUT IS FOR INFORMATIONAL PURPOSES ONLY, AND IS SUBJECT TO CHANGE WITHOUT NOTICE.

CONFIDENTIAL

THIS PRODUCT SPECIFICATION SHEET CONTAINS CONFIDENTIAL AND/OR PROPRIETARY INFORMATION AND IS TO BE USED ONLY FOR THE EXPRESSED PURPOSES AGREED UPON BY AN AUTHORIZED OFFICER OF THERMO FISHER SCIENTIFIC.

ThermoFisher
SCIENTIFIC

Thermo Fisher Scientific
75 Panorama Creek Drive
Rochester, NY 14625-2385, USA

MADE NS/MC	APP'D PVC	PSS-00-5100-000X-1	REV. 0502
CK'D PVC	5/29/02		
DESCRIPTION:		CRYO 1°C FREEZING CONTAINERS "MR FROSTY"	