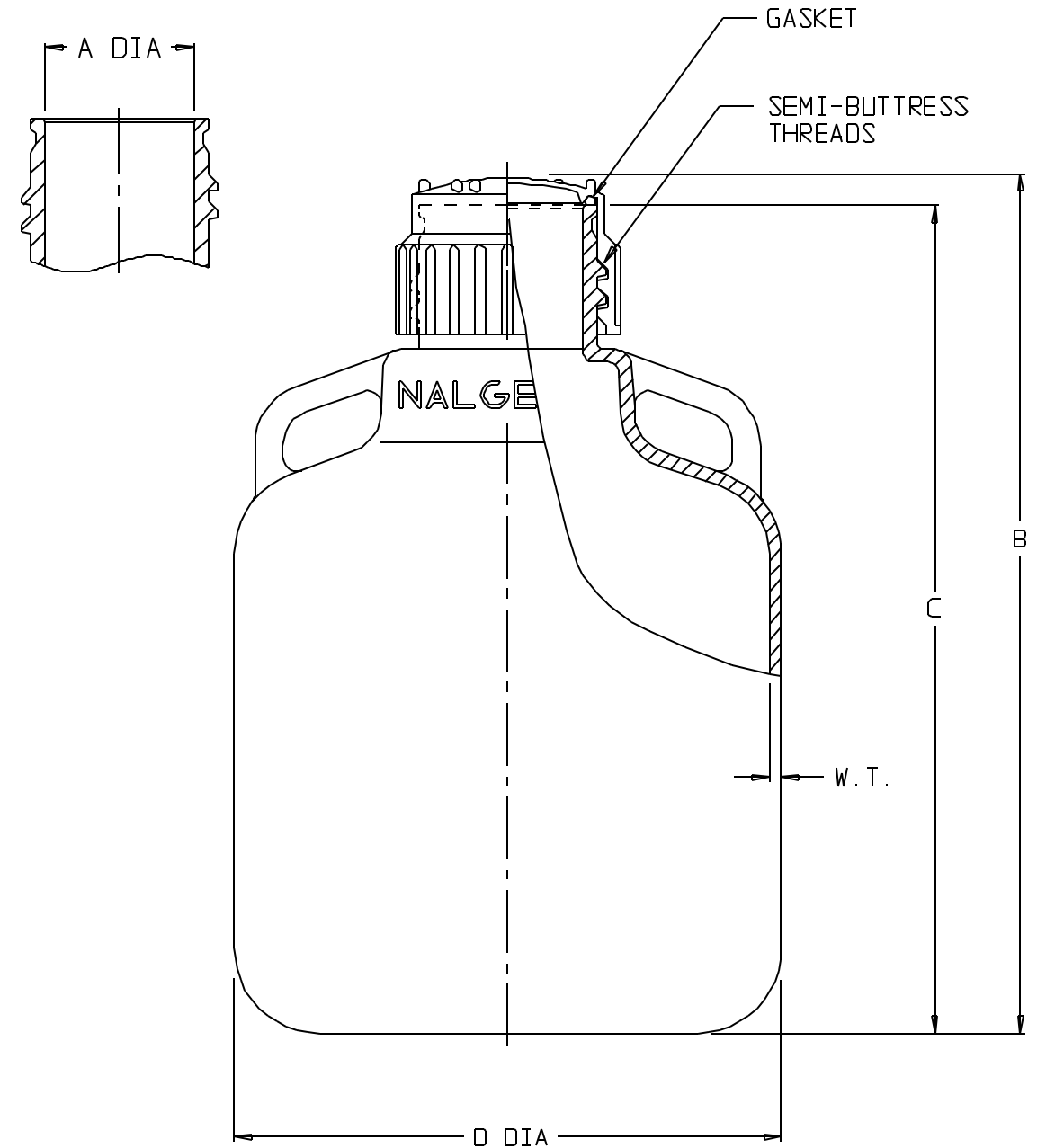


CATALOG NO.:	2250-0130	
NOM CAP (GAL).....:	13	
MATERIALS	CARBOY...:	PP
	CLOSURE...:	WHITE PP
	GASKET...:	TPE (KRATON)
SIZE (NOM VOL L/GAL):	50/13	
NOM. BRIM CAP. L)....:	54	
NECK FINISH (nm)....:	83B	
THREAD (T.P.I.).....:	2	
NOM. WEIGHT W/ CLOSURE(gms).....:	3600	
A (NECK I.D.).....:	2.53 ±.02	
B (HT. W/ CLOSURE)....:	26.7 ±.5	
C (HT. W/O CLOSURE)....:	26.3 ±.5	
D (DIA). *.....:	14.92 ±.18	
W.T.(NOM WALL THK)....:	0.18	

THIS DRAWING IS NOT TO BE REPRODUCED
-CONFIDENTIAL-

NOTES:

1. ALL DIMENSIONS ARE NOMINAL AND IN INCHES AND MILLIMETERS UNLESS OTHERWISE NOTED.
2. THIS IS NOT A PRODUCTION DRAWING, BUT IS FOR INFORMATIONAL PURPOSES ONLY, AND IS SUBJECT TO CHANGE WITHOUT NOTICE.



SPECS ON BACK

NOT TO SCALE

CONFIDENTIAL

THIS PRODUCT SPECIFICATION SHEET CONTAINS CONFIDENTIAL AND/OR PROPRIETARY INFORMATION AND IS TO BE USED ONLY FOR THE EXPRESSED PURPOSES AGREED UPON BY AN AUTHORIZED OFFICER OF THERMO FISHER SCIENTIFIC.

ThermoFisher
SCIENTIFIC

Thermo Fisher Scientific
75 Panorama Creek Drive
Rochester, NY 14625-2385, USA

MADE	MCC	APP'D	PVC	PSS 00-2250-0130-S	REV.	--
CK'D	PB		3/9/92			
DESCRIPTION:				ROUND CARBOY WITH HANDLES		