

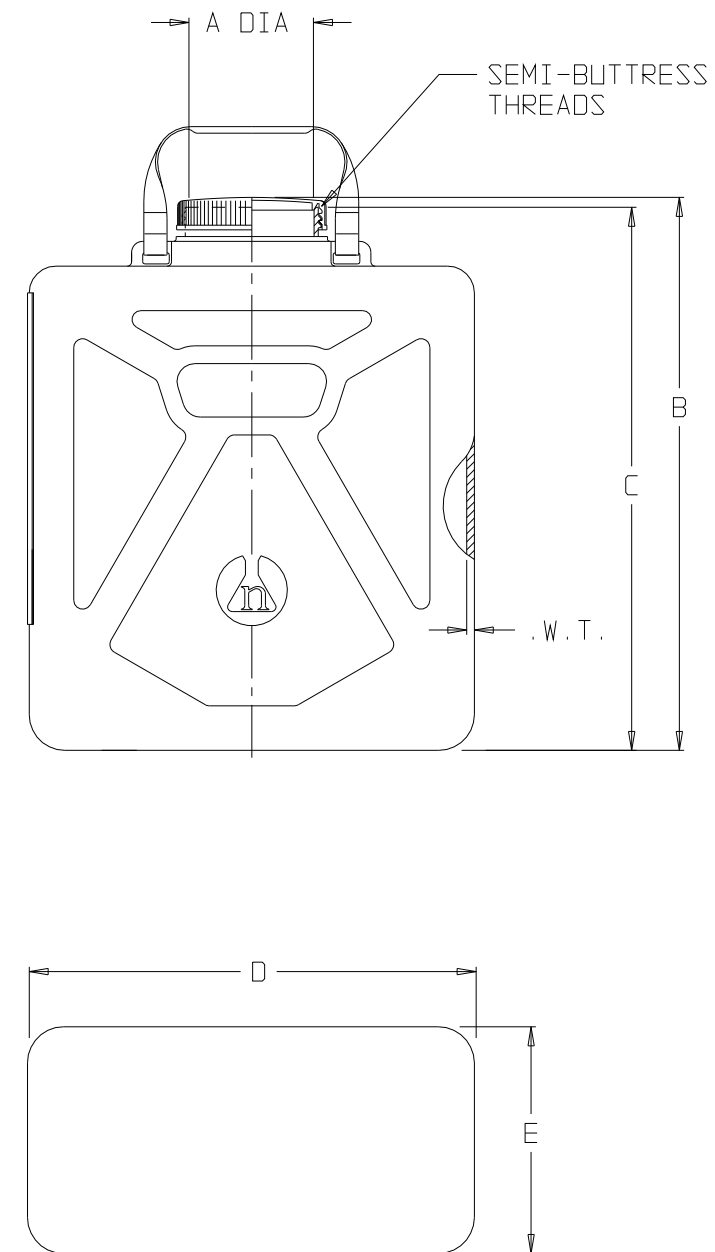
CATALOG NO.	NOMINAL CAPACITY (GAL)		MATERIALS	
			CARBOY	CLOSURE
002211	2	5	HDPE	WHITE PP
002212	2	5	PPCO	WHITE PP
* DS2213	2	5	PC	WHITE PP

\* NOTE: CATALOG NO. 2213 ARE  
CLEARBOYS™ (TRANSPARENT CARBOYS)

SIZE CODE.....:	-0020		-0050	
SIZE (NOM VOL L/GAL):	9/ 2		20/ 5	
NOM. BRIM CAP. (L)...:	9		21	
NECK FINISH (mm).....:	100-415		100-415	
THREAD (T.P.I.).....:	5		5	
NOM. WEIGHT W/ CLOSURE(gms).....:	850		1600	
	INCHES	MM	INCHES	MM
A (NECK I.D.).....:	3.40 ±.25	86.4 ±6.35	3.40 ±.25	86.4 ±6.35
B (HT. W/ CLOSURE)...:	14.2 ±.2	360.7 ±5.1	15.7 ±.2	398.8 ±5.1
C (HT. W/O CLOSURE)..:	13.8 ±.2	350.5 ±5.1	15.3 ±.2	388.6 ±5.1
D (WIDTH).....:	8.66 ±.16	220.0 ±5.1	12.6 ±.2	320.0 ±5.1
E (DEPTH).....:	6.03 ±.12	153.2 ±3.1	9.0 ±.2	228.6 ±5.1
W.T.(NOM WALL THK)...:	0.08	2.0	0.08	2.0

NOTES:

1. ALL DIMENSIONS ARE NOMINAL AND IN INCHES AND MILLIMETERS UNLESS OTHERWISE NOTED.
2. THIS IS NOT A PRODUCTION DRAWING, BUT IS FOR INFORMATIONAL PURPOSES ONLY, AND IS SUBJECT TO CHANGE WITHOUT NOTICE.



SPECS ON BACK

NOT TO SCALE

CONFIDENTIAL

THIS PRODUCT SPECIFICATION SHEET CONTAINS CONFIDENTIAL AND/OR PROPRIETARY INFORMATION AND IS TO BE USED ONLY FOR THE EXPRESSED PURPOSES AGREED UPON BY AN AUTHORIZED OFFICER OF THERMO FISHER SCIENTIFIC.

**ThermoFisher**  
SCIENTIFIC

Thermo Fisher Scientific  
75 Panorama Creek Drive  
Rochester, NY 14625-2385, USA

MADE TL	APP'D GRP	PSS 00-221X-XXXX-1	REV.
CK'D PB	2/29/12		0212
DESCRIPTION: RECTANGULAR CARBOYS			