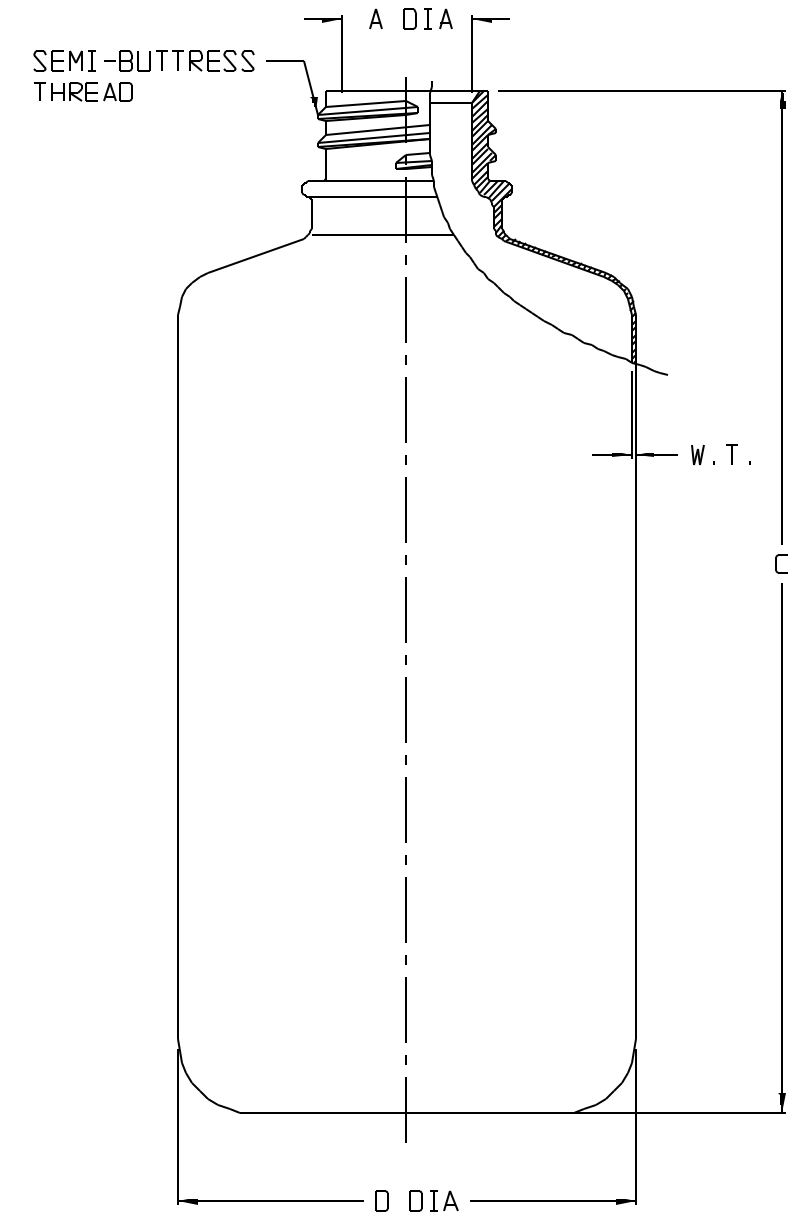
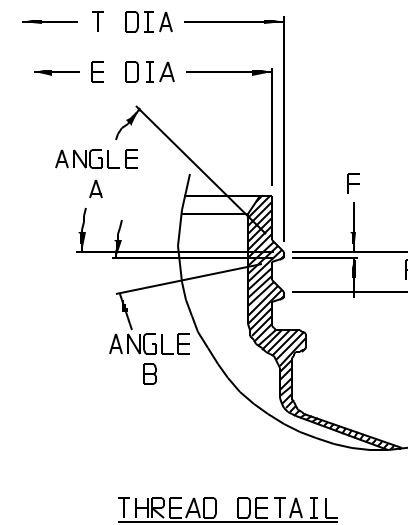


CATALOG NO.....:	001600-0016	
NOMINAL CAP, (oz)....:	500/16	
SIZE (NOM VOL mL/oz):	16	
MATERIAL:.....:	TEFLON FEP	
NOM. BRIM CAP. (mL):	520	
NECK FINISH (mm)....:	28-415	
THREAD (T.P.I.).....:	6	
NOM. WEIGHT W/O CLOSURE (gms).....:	92	
	INCH	MM
A (BTLE. NECK I.D.):	0.80 ±0.03	20.3 ±0.8
C (HEIGHT).....:	6.39 ±0.09	162.1 ±2.3
D (DIA).....:	2.86 ±0.06	72.6 ±1.5
E (MINOR DIA).....:	.99 <sup>+0.01</sup> <sub>-.02</sub>	25.1 <sup>+0.3</sup> <sub>-0.5</sub>
T (MAJOR DIA).....:	1.088 <sup>+0.000</sup> <sub>-.020</sub>	27.64 <sup>+0.00</sup> <sub>-.05</sub>
F (FACE).....:	.030	.76
P (THREAD PITCH)....:	.167	4.24
ANGLE X.....:	45°	
ANGLE Y.....:	12°	
W.T.(NOM. WALL THK):	0.040	1.02

NOTES:

1. ALL DIMENSIONS ARE NOMINAL AND IN INCHES AND MILLIMETERS UNLESS OTHERWISE NOTED.
2. THIS IS NOT A PRODUCTION DRAWING, BUT IS FOR INFORMATIONAL PURPOSES ONLY, AND IS SUBJECT TO CHANGE WITHOUT NOTICE.



SPECIAL FOR  
SARNIA PIPING INC.

SPECS ON BACK

NOT TO SCALE

CONFIDENTIAL

THIS PRODUCT SPECIFICATION SHEET CONTAINS CONFIDENTIAL AND/OR PROPRIETARY INFORMATION AND IS TO BE USED ONLY FOR THE EXPRESSED PURPOSES AGREED UPON BY AN AUTHORIZED OFFICER OF THERMO FISHER SCIENTIFIC.

**ThermoFisher**  
SCIENTIFIC

Thermo Fisher Scientific  
75 Panorama Creek Drive  
Rochester, NY 14625-2385, USA

MADE	MC	APP'D	PVC	PSS 00-1600-0016-S	REV.	1000
CK'D	PVC	10/27/00				
DESCRIPTION:				NARROW-MOUTH ROUND LAB QUALITY BOTTLE		